



Optical Fiber Connector

SC Simplex Optical Fiber Connector

Description

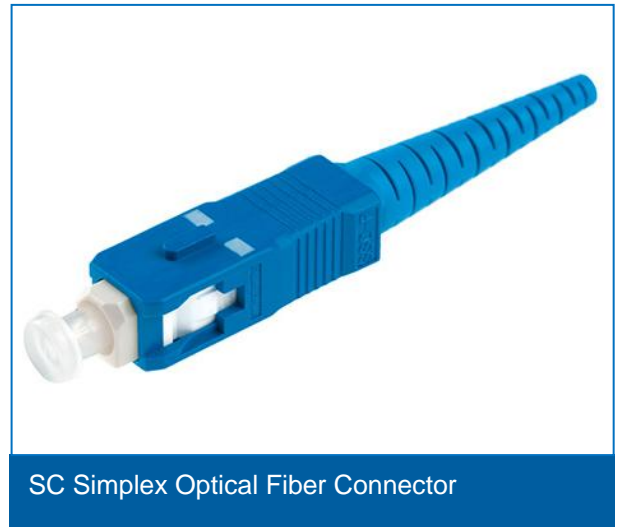
An optical fiber connector terminates the end of an optical fiber, and enables quicker connection and disconnection than splicing. The connectors mechanically couple and align the cores of fibers so light can pass. Better connectors lose very little light due to reflection or misalignment of the fibers. SC connector is a common optical fiber connector, which can be directly insert and extract and used conveniently.

Feature

- Low insertion loss
- High return loss
- Ease of installation
- Low cost
- Reliability
- Low environmental sensitivity
- Ease of use

Application

- Telecom network
- Ethernet network
- Optical communication equipment



Specification:

Items	Single mode	Multi mode
Insertion Loss	≤0.3dB	≤0.3dB
Return Loss	≥50dB(UPC);≥60dB(APC)	≥30dB
Ceramic ferrule spec	125.5um concentricity deviations: <1um	127um concentricity deviations: <3um
Insert-pull test	1000 times <0.3dB	
Operation temperature	-40℃~+85℃	
Suitable fiber	PC/APC(9/125um)	PC(50/125um,62.5/125um)

A B C D E F G H

1

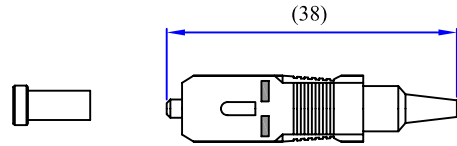
2

3

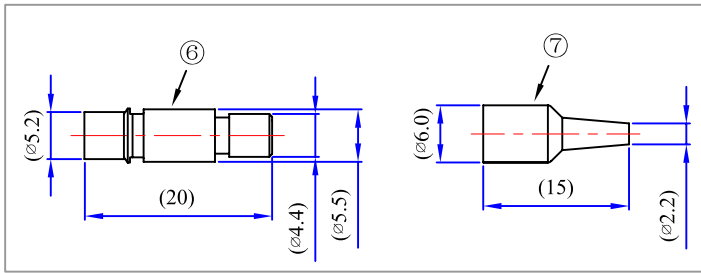
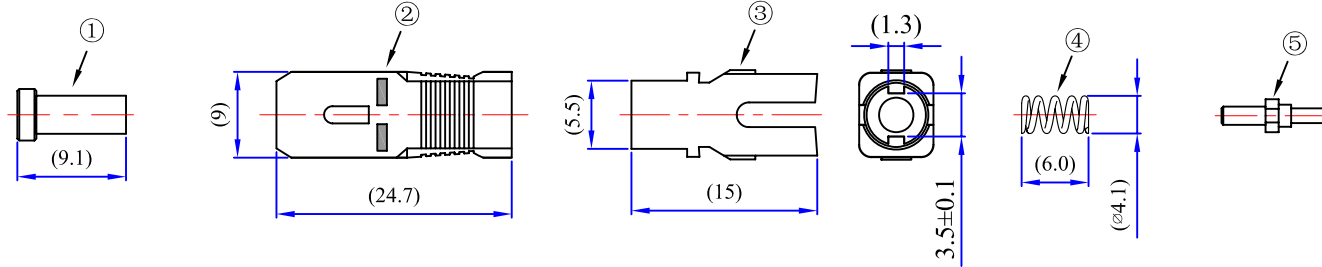
4

5

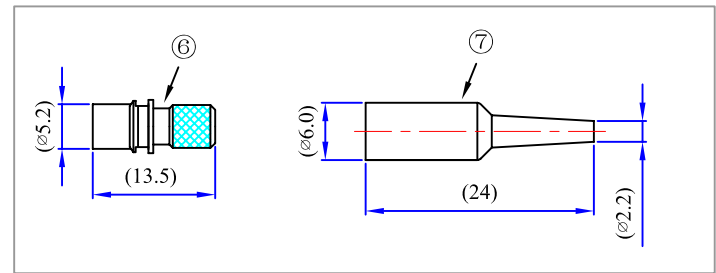
6



(long stop ring,short boot)



Long stop ring and short boot



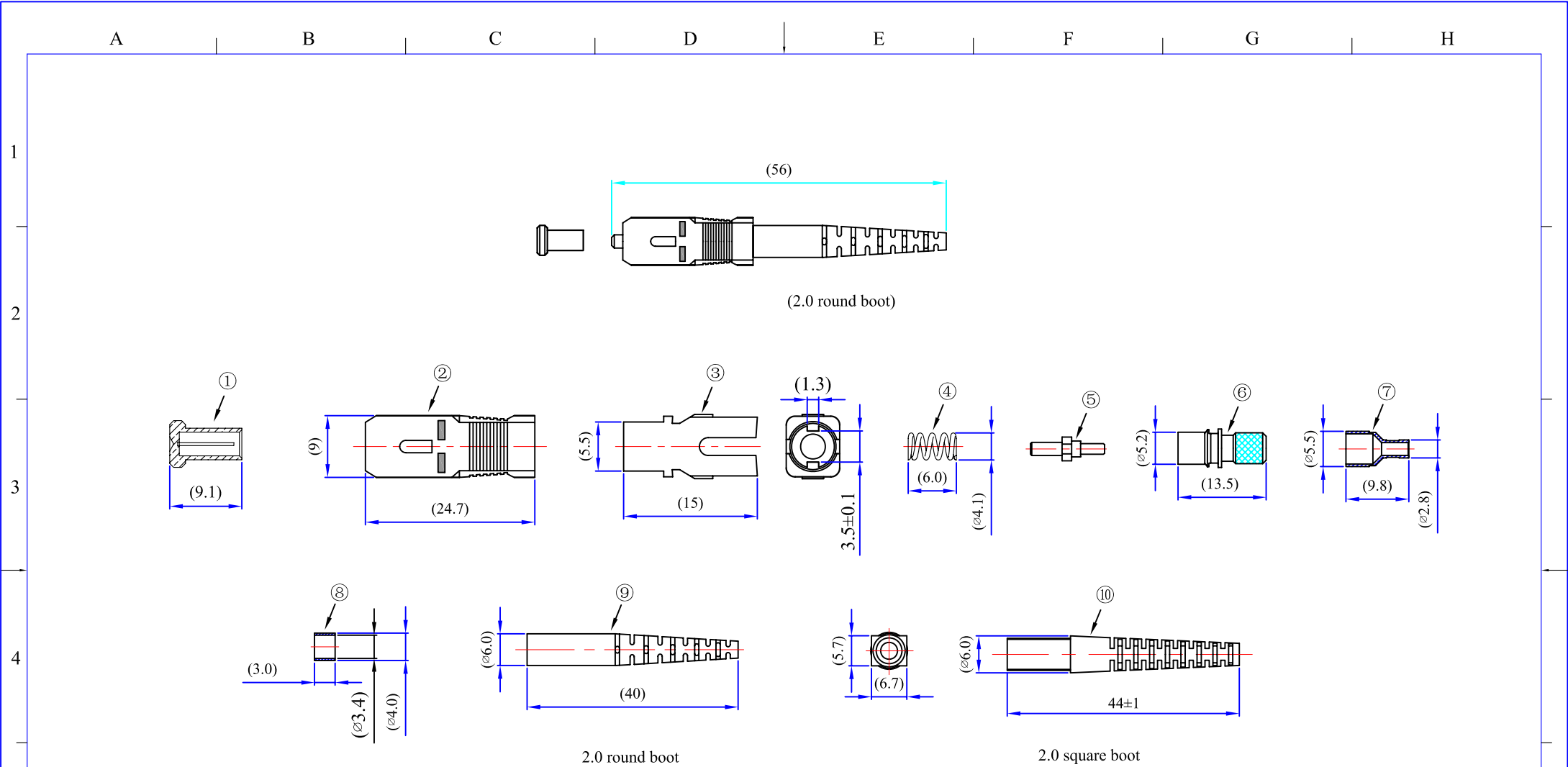
Short stop ring and long boot

No.	Materia name	Q'ty	note
1	dust cap	1	PC dust cap is transparent, APC dust cap is green
2	ferrule	1	ferrule:SM and MM, APC ferrule:cone and step
3	outer housing	1	SM is blue, MM is beige, APC housing is green
4	white inner housing	1	
5	spring	1	
6	stop ring	1	
7	boot	1	SM boot:blue, MM boot:beige APC boot:green boot:long and short boot

Technical requirements:

1.The dimensions on the drawing are just for reference, which important is to match well with each other;

Title 0.9mm SC connector			
Drawing	Steven	Item No	
Check	Henry	Drawing No:	
Approval	Williams		曦和光电科技有限公司
Date	2018	Page: 1-1	XH Opto Tech Co.,LTd

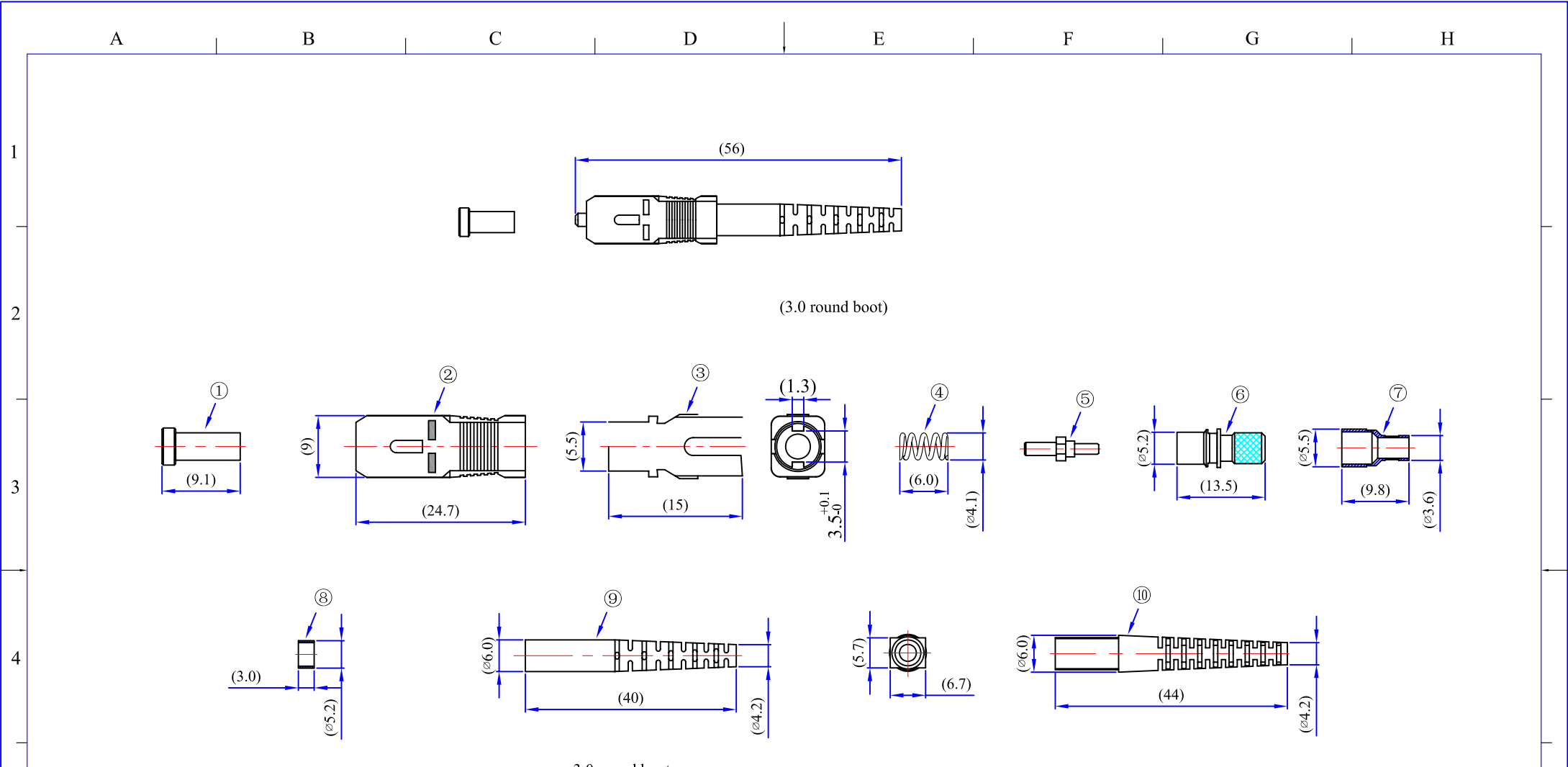


No.	Materia name	Q'ty	note
1	dust cap	1	PC dust cap is transparent, APC dust cap is green
2	outer housing	1	SM is blue, MM is beige, APC housing is green
3	white inner housing	1	
4	spring	1	
5	ferrule	1	ferrule:SM and MM, APC ferrule:cone and step
6	stop ring	1	
7	crimping sleeve	1	
8	crimping ring	1	
9	2.0 round boot	1	SM boot:blue, MM boot:beige, APC boot:green
10	2.0 square boot	1	

Technical requirements:

1.The dimensions on the drawing are just for reference, which important is to match well with each other;

Title 2.0mm SC connector			
Drawing	Steven	Item No	
Check	Henry	Drawing No:	
Approval	Williams		
Date	2018	Page: 1-1	曦和光电科技有限公司 XH Opto Tech Co.,LTd



No.	Materia name	Q'ty	note
1	dust cap	1	PC dust cap is transparent, APC dust cap is green
2	outer housing	1	SM is blue, MM is beige, APC housing is green
3	white inner housing	1	
4	spring	1	
5	ferrule	1	ferrule:SM and MM, APC ferrule:cone and step
6	stop ring	1	
7	crimping sleeve	1	
8	crimping ring	1	
9	3.0 round boot	1	SM boot:blue, MM boot:beige, APC boot:green
10	3.0 square boot	1	

Technical requirements:

1. The dimensions on the drawing are just for reference, which important is to match well with each other;

Title 3.0mm SC connector			
Drawing	Steven	Item No	
Check	Henry	Drawing No:	
Approval	Williams		
Date	2018	Page: 1-1	職和光电科技有限公司 XH Opto Tech Co.,LTd